



# TECHNICAL SPECIFICATIONS

— **AURUM** <sup>HSP</sup> —

ADVENTURE  
BEGIN  
HERE.

**NORCO**  
BICYCLES

**NORCO BICYCLES NEW PURCHASE CONSUMER WARRANTY PROGRAM**


**LOOK FOR  
THIS STICKER  
ON YOUR NEW  
NORCO BICYCLE**

**OWNERSHIP**
**REGISTER YOUR BIKE**

The original owner must register his / her new bicycle within 90 days from the date of purchase with Norco Bicycles ([www.norco.com/bike-registration](http://www.norco.com/bike-registration)) to complete a record of ownership and to participate in the applicable Warranty and Norco Crash Replacement Program.

Upon successful completion of your online registration, you will receive an email confirmation for your records. Your Authorized Norco Bicycle Dealer is the best source of care and information for your bicycle. The more you ride, the more frequently you should have your bicycle professionally inspected and maintained. Be sure to read your owner's manual and make yourself familiar with recommended service intervals and procedures.

If you have any questions about limitations of the intended use of your Norco bike, ask an Authorized Norco Bicycle Dealer.

**NORCO BICYCLES NEW PURCHASE  
LIMITED WARRANTY**

Your ride enjoyment is our priority, and if you have any issue with your Norco Bicycle contact the Authorized Norco Bicycle Dealer where you purchased your bicycle first. The Norco warranty applies to all new bicycle frames and framesets purchased from and assembled by, an Authorized Norco Bicycle Dealer. Any warranty claim must be made through an Authorized Norco Bicycle Dealer. Your Authorized Norco Bicycle Dealer is professionally equipped to assist you with your bicycle care, as well as any issue(s) or claim(s) made that are a result of a manufacturing defect. Transportation charges are not covered by the Warranty.

**PROTECT YOUR INVESTMENT**
**TOP 5 REASONS TO REGISTER YOUR NORCO BICYCLE**

- 1 ACTIVATE YOUR EXTENDED WARRANTY**  
Register within 90 days of purchase to qualify for an extended warranty on select models. For full details on warranty visit <http://www.norco.com/warranty/>
- 2 RECORD OF OWNERSHIP**  
Bike registration ensures your serial number is on file if and when you need it. You may also opt in to Operation Hands Off, a police-accessible database for lost or stolen property.
- 3 QUALIFY FOR OUR CRASH REPLACEMENT PROGRAM**  
Accidents can happen. Register within 90 days of purchase to qualify for our crash replacement program, so you can return to riding as soon as possible.
- 4 EASIER WARRANTY CLAIM PROCESS**  
In the event you need to make a warranty claim on your Norco Bicycle, having your bike registered will ensure your claim can be processed swiftly by your authorized Norco dealer.
- 5 TO RECEIVE IMPORTANT UPDATES**  
Be the first receive information about important product updates directly from Norco.

**COMPLETE BICYCLES**

Norco Bicycles warrants the replacement or repair at its sole option, of any original Norco branded part due to defect in material and/or workmanship for 1 year from the original date of purchase. Original sales receipt or other proof of purchase is required at time of claim.

**WARRANTY EXCLUSIONS**
**AND/OR LIMITATIONS**

Components and suspension forks / rear shocks are not considered part of the frame and are not covered under the terms of the frame warranty. Suspension manufacturer's, brand name wheels sets and other brand name components designate their own specific warranty policy for their products. Visit component manufacturer's websites for further information. If you did not receive a Norco owners manual from your Authorized Norco Bicycle Dealer at time of purchase, please go to [www.norco.com/owners-manual](http://www.norco.com/owners-manual)

Colour fade as a result of harmful UV exposure or sunlight is not covered.

This warranty is void in its entirety by the modification of the frame, fork or components. Failure of any frame or component due to accident, abuse, neglect, normal wear, stunt riding, commercial use, rental use, improper assembly, improper fit, maintenance and/or assembly by/or purchased from another party besides an Authorized Norco Bicycle Dealer, or use of parts inconsistent with the use originally intended for the bicycle as sold, are not covered by this warranty.

Warranty claims made outside the country of purchase may be subject to fees and different terms or restrictions.

**EFFECTIVE ON ALL 2017  
& LATER MODEL YEAR BICYCLES**

## FRAME HARDWARE

**1** SWINGARM MAIN PIVOT**2** IDLER PULLEY ASSEMBLY**3** DOGBONE**4** SWINGARM & DOGBONE PIVOT**5** LINKARM MAIN PIVOT**6** UPPER SHOCK BOLTS (TRUNNION)**7** LINKARM & DOGBONE PIVOT**8** DROP OUT ASSEMBLY**9** HEADSET CUP ASSEMBLY

FRAME SMALL PARTS

FITTING INSTRUCTIONS

CABLE ROUTING

FRAME SPEC



**IDLER PULLEY ASSEMBLY**
**1 IDLER PULLEY COVER - INBOARD**

914200-002 (1x)

**2 IDLER PULLEY SPACER**

9133200-012 (1x)

**3 IDLER PULLEY 16T**

914200-004 (1x)

**4 6902 BEARING KIT 15x28x7**

913200-6902-EM (1x)

**5 IDLER PULLEY BOLT**

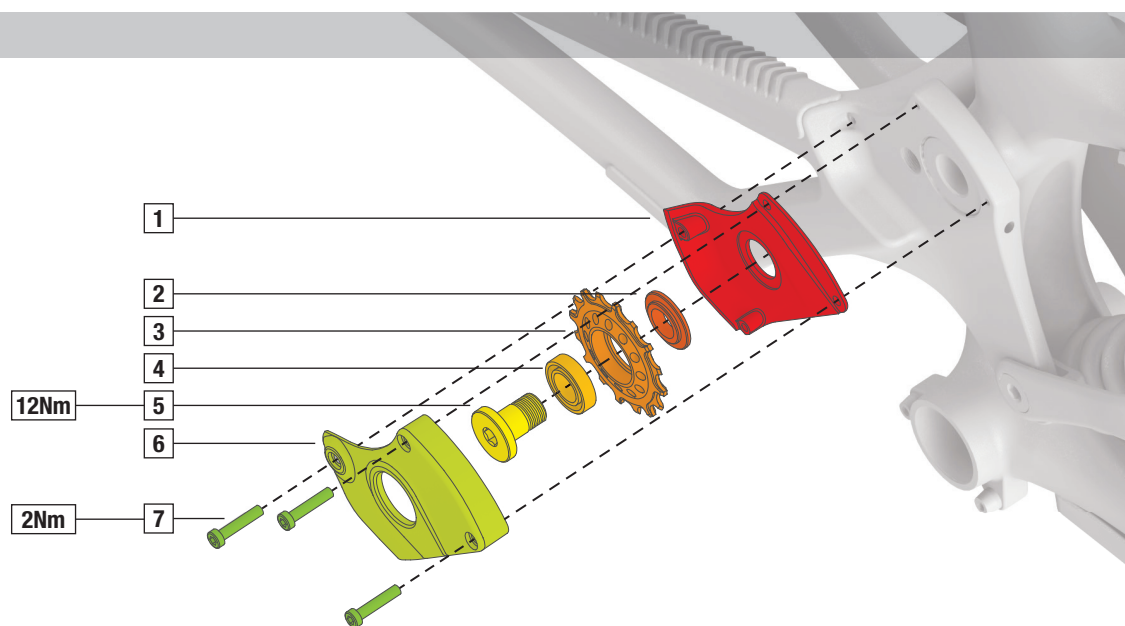
913400-013 (1x)

**6 IDLER PULLEY COVER - OUTBOARD**

914200-003 (1x)

**7 IDLER PULLEY COVER - BOLTS**

913400-007 (3x)


**SWINGARM MAIN PIVOT**
**1 MAIN PIVOT SHAFT**

913500-010 (1x)

**2 6905 BEARING KIT 25x42x9**

913200-6905 (2x)

**3 SPACER 25x4.5**

913300-011 (2x)

**4 MAIN PIVOT SHAFT NUT**

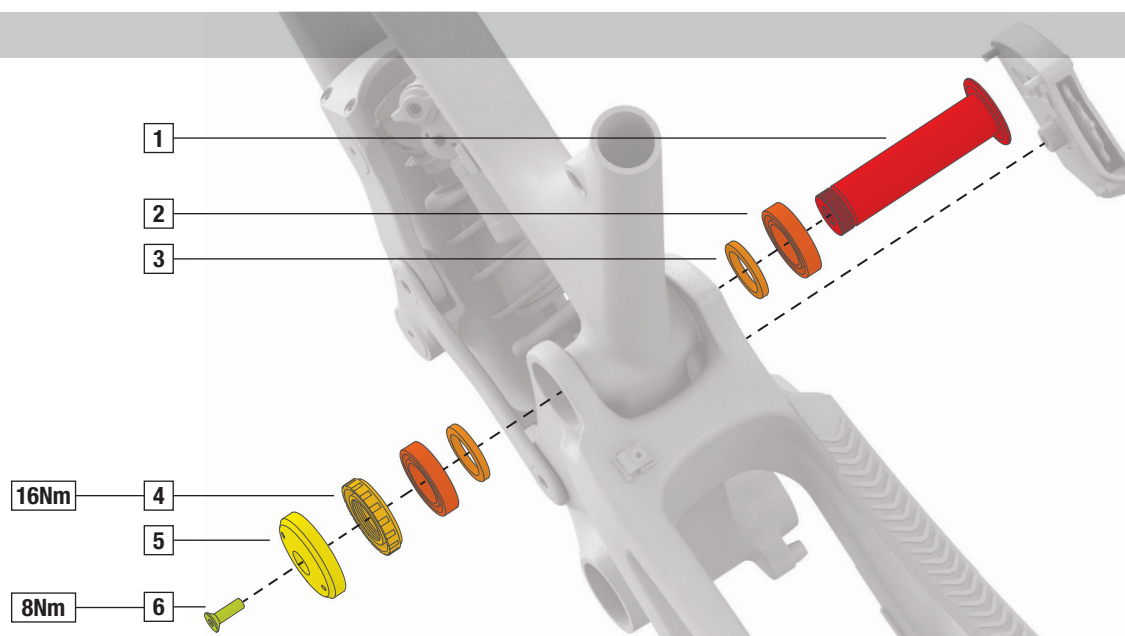
913700-001 (1x)

**5 MAIN PIVOT SHAFT NUT CAP**

913700-001-1 (1x)

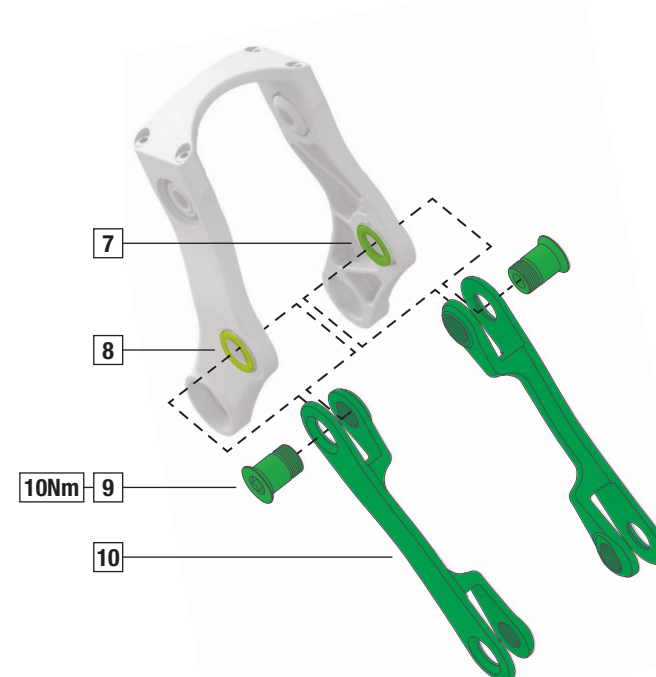
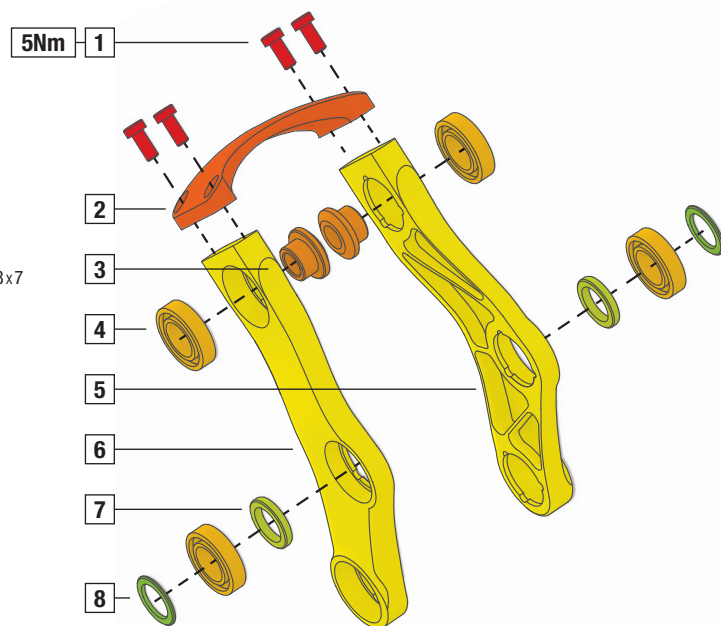
**6 SCREW M6x20**

913400-006 (1x)

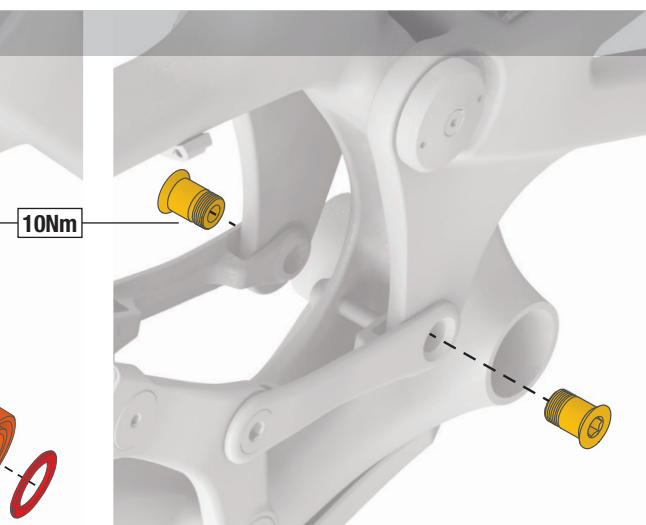
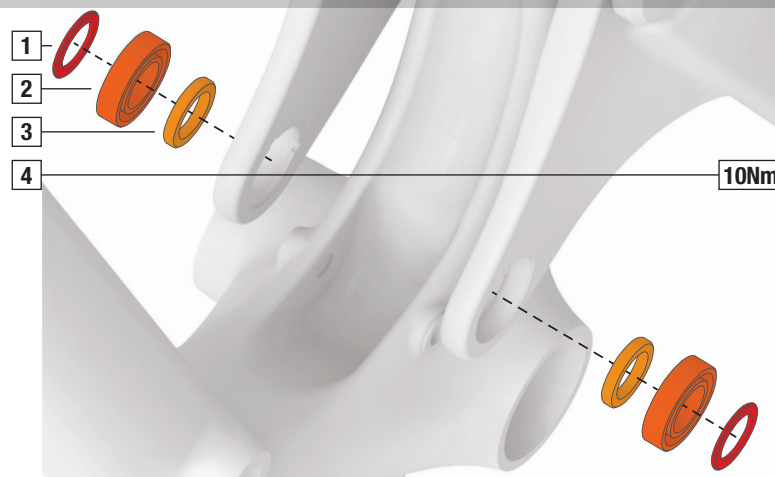


**LINK ARM HARDWARE & DOGBONE PIVOT**

- 1** **BOLT** M5x12  
913400-008 (2x)
- 2** **LINKARM TOP PLATE**  
912315-001 (1x)
- 3** **TOPHAT SPACER**  
913800-008 (2x)
- 4** **6902 BEARING KIT** 15x28x7  
913200-6902-EM (2x)
- 5** **LINKARM RIGHT**  
912315-001R (1x)
- 6** **LINKARM LEFT**  
912315-001L (1x)
- 7** **SPACER** 15x3.5  
913300-014 (2x)
- 8** **SPACER** 15x1.5  
913300-013 (2x)
- 9** **BOLT** M15x1 L19  
913400-014 (2x)
- 10** **DOGBONE**  
912315-002 (1x)

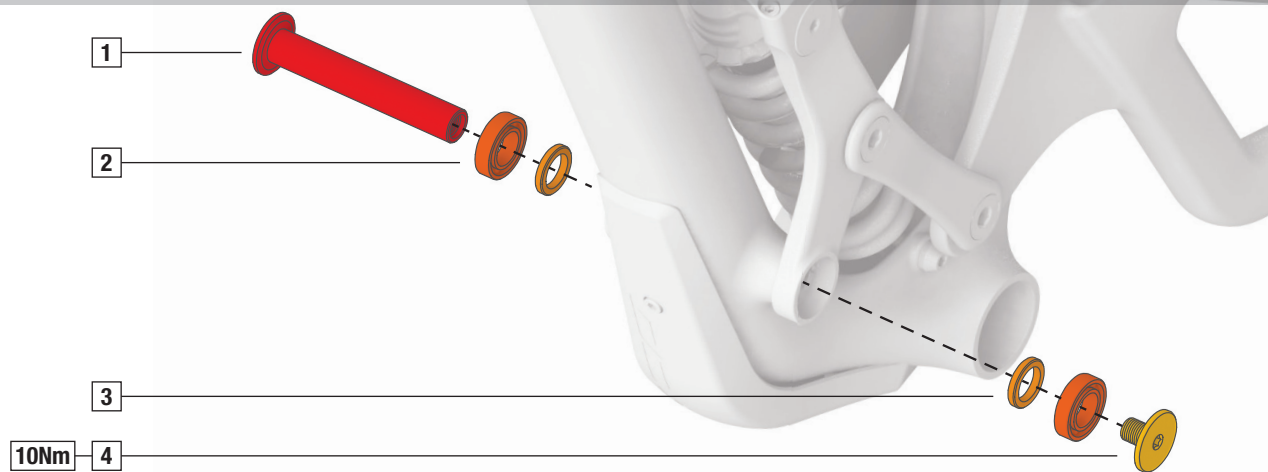

**SWING ARM DOGBONE PIVOT**

- 1** **SPACER** 15x1.5  
913300-013 (2x)
- 2** **6902 BEARING KIT** 15x28x7  
913200-6902-EMB0 (2x)
- 3** **SPACER** 15x3.5  
913300-014 (2x)
- 4** **BOLT** M15x1 L19  
913400-014 (2x)



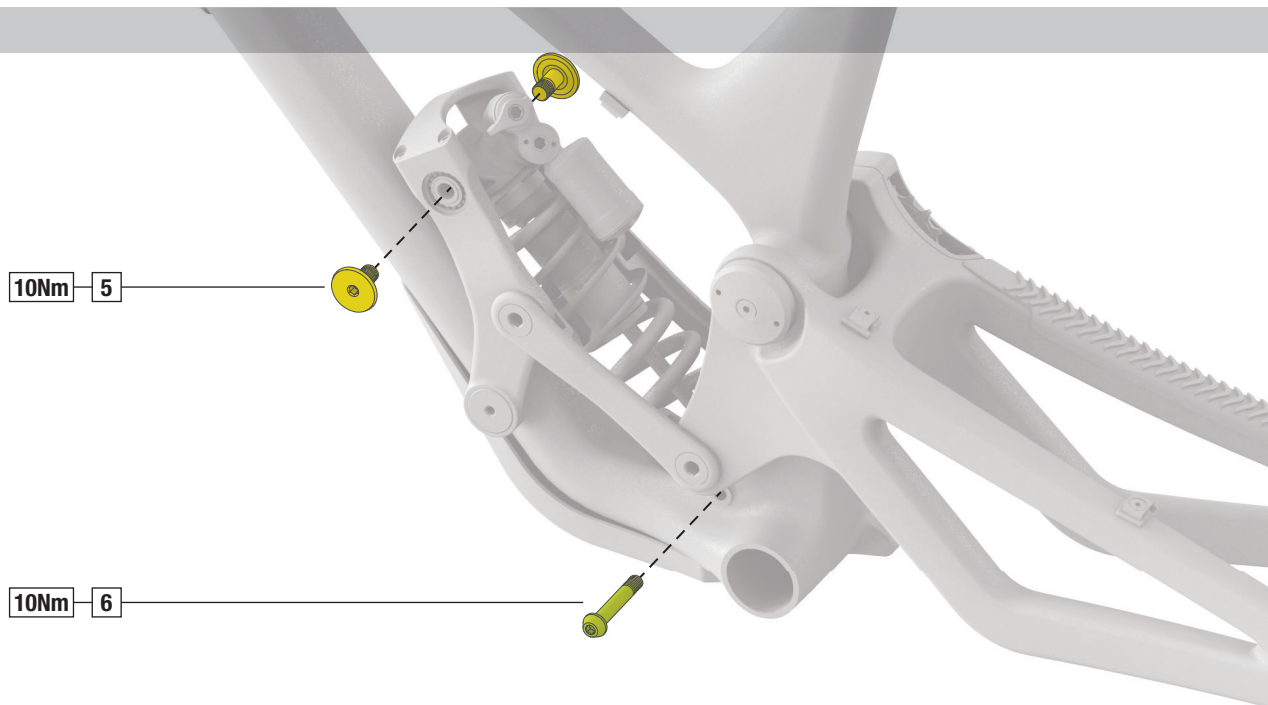
## LINKARM MAIN PIVOT

- 1** **SHAFT** 15x92 M10x1  
913500-011 (1x)
- 2** **6902 BEARING KIT** 15x28x7  
913200-6902-EM (2x)
- 3** **SPACER** 15x3.5  
913300-014 (2x)
- 4** **BOLT** M10x1 L13  
913400-009 (1x)



## SHOCK BOLTS

- 5** **BOLT** M10x1 L18.5  
913800-009 (2x)
- 6** **BOLT** M8x1.25 L50  
913800-010 (1x)



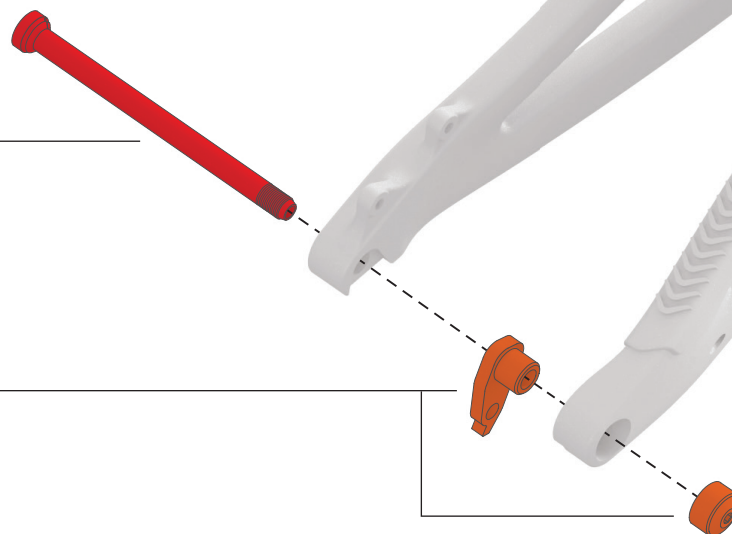
**REAR AXLE DROP OUT ASSEMBLY**

**1** **AXLE** 170.5mm (29") - 164.5mm (27.5")  
913105-006 (29") - 959375-14-01 (27.5") (1x)

**2** **DERAILLEUR HANGER + CAP**  
913015-001 (1x2pc)

12-14Nm **1**

10Nm **2**


**HEADSET CUP ASSEMBLY**

**3** **UPPER HEADSET CUP** 0/8MM OFFSET  
916005-005 (1x)

**4** **LOWER HEADSET CUP** 0/8MM OFFSET  
916005-005-1 (1x)

**5** **UPPER HEADSET CUP** 4MM OFFSET  
916005-004 (1x)

**6** **LOWER HEADSET CUP** 4MM OFFSET  
916005-004-1 (1x)

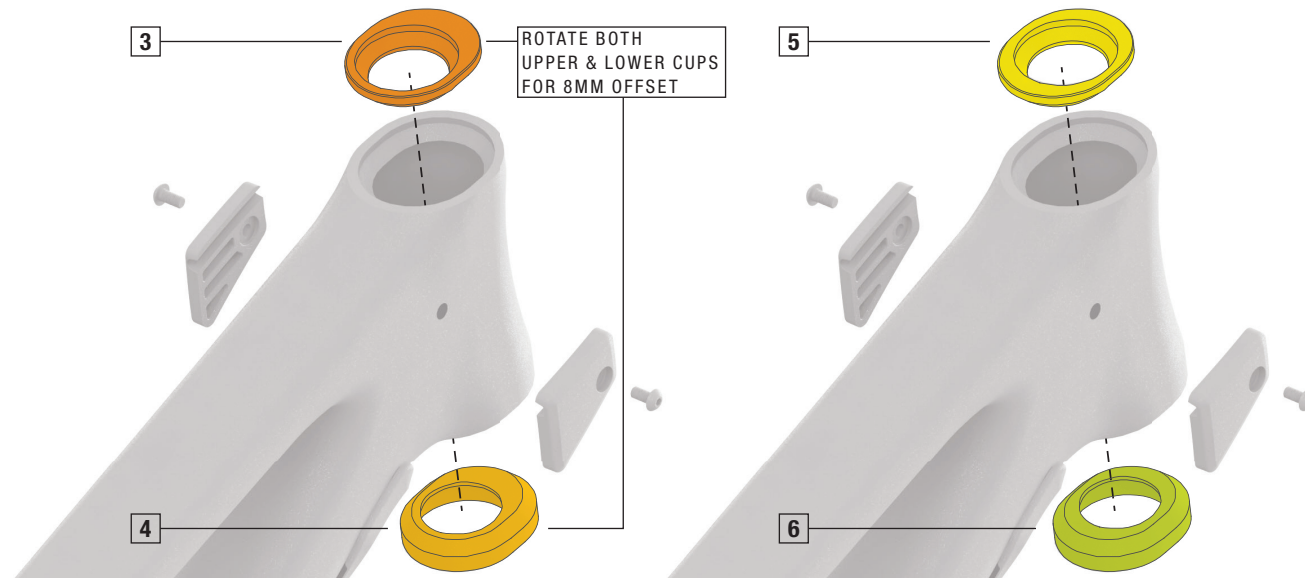
**3**

ROTATE BOTH  
UPPER & LOWER CUPS  
FOR 8MM OFFSET

**5**

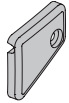
**4**

**6**

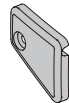


## FRAME SMALL PARTS

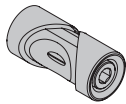
- 1** FORK BUMPER RIGHT  
914100-021 (1x)



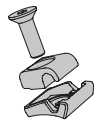
- 1** FORK BUMPER LEFT  
914100-022 (1x)



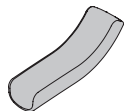
- 2** SEAT POST CLAMP  
915000-001 (1x)



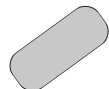
- 3** CABLE GUIDE  
914100-002 (1x)



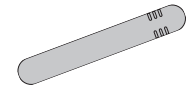
- 4** LOWER SWINGARM GUARD  
915200-013 (1x)



- 5** CABLE PROTECTION TAPE  
915200-008 (1x)



- 6** DT PROTECTION TAPE  
915500-001 (1x)



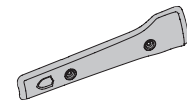
- 7** 27.5" DT GUARD  
915100-007 (1x)



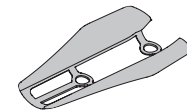
- 7** 29" DT GUARD  
915100-007-1 (1x)



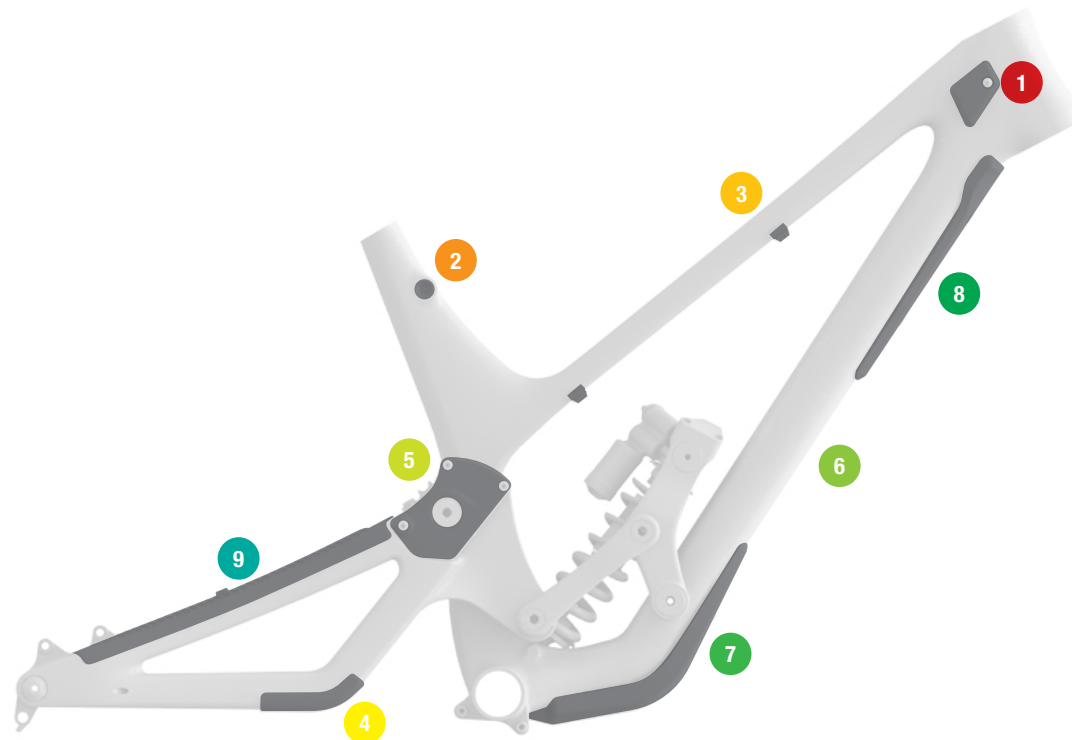
- 8** SHUTTLE GUARD  
915500-002 (1x)



- 8** MUD GUARD  
915200-013 (1x)



- 9** UPPER SWINGARM GUARD  
915300-002 (1x)





**AURUM HSP 27.5" – FRAME TECH SPECS**

Available Frame Sizes	XS/S, S/M, M/L, L/XL
Headset Type	Integrated
S.H.I.S	IS42/28.6   IS42/30
Upper Headset Diameter (mm)	42
Lower Headset Diameter (mm)	42
Lower Headset Stack (mm)	2
Fork Length (MAX)/Offset	582/46-52
BB Type/Width	PF107 (41mmID)/104.5
Max Chainring Size 1x 2x 3x	1x only. XS/S38, S/M,M/L,L/XL40
OLD (mm)	142
Rear Brake Mount	IS
Seatpost Size (mm)	30.9
Max Tire Size (in)	650Bx2.5"
ISCG 05 Mounts	Yes (Lower tabs only)
Guides for Adj Seatpost	No
Shock Length (mm/in)	225
Shock Stroke (mm/in)	75
Linkarm Shock Spacers (W*ID, mm)	Trunnion
Frame Shock Spacers (W*ID, mm)	30*8
Shock Orientation	Reservoir up/forward

**AURUM HSP 29" – FRAME TECH SPECS**

Available Frame Sizes	M/L, L/XL
Headset Type	Integrated
S.H.I.S	IS42/28.6   IS42/30
Upper Headset Diameter (mm)	42
Lower Headset Diameter (mm)	42
Lower Headset Stack (mm)	2
Fork Length (MAX)/Offset	601/56-58
BB Type/Width	PF107 (41mmID)/104.5
Max Chainring Size 1x 2x 3x	1x only. M/L,L/XL40
OLD (mm)	148
Rear Brake Mount	IS
Seatpost Size (mm)	30.9
Max Tire Size (in)	29x2.5"
ISCG 05 Mounts	Yes (lower tabs only)
Guides for Adj Seatpost	No
Shock Length (mm/in)	225
Shock Stroke (mm/in)	70
Linkarm Shock Spacers (W*ID, mm)	Trunnion
Frame Shock Spacers (W*ID, mm)	30*8
Shock Orientation	Reservoir up/forward